

OWNER GUIDE

Sunfire II Radiant

Radiant / Convector Gas Fire

Model 347
(G. C. Number 32-032-62)



**THIS APPLIANCE IS FOR USE WITH NATURAL GAS (G20)
THIS APPLIANCE IS SUITABLE ONLY FOR INSTALLATION IN THE UNITED
KINGDOM (GB) AND THE REPUBLIC OF IRELAND (IE) ONLY.**

Manufactured exclusively for British Gas & Scottish Gas by Valor Heating
For Service Phone 0845 950 0400

This guide to be left with the owner

OWNER GUIDE

Safety First.

This gas fire is CE Approved and designed to meet the appropriate British Standards and Safety Marks.



Quality and Excellence.

This fire has been manufactured to the highest standards of quality and excellence and was manufactured under a BS EN ISO 9001 quality system accepted by the British Standards Institute.



The Highest Standards

The manufacturer is a member of the Society of British Gas Industries which works to ensure high standards of safety, quality and performance.



Careful Installation

The manufacturer is a CORGI registered company. This gas fire must be installed by a competent CORGI Registered Installer in accordance with our Installer Guide and should not be fitted directly on to a carpet.

Valor Heating, Erdington, Birmingham B24 9QP
www.valor.co.uk

Because our policy is one of constant development and improvement, details may vary slightly from those given in this publication

OWNER GUIDE

LIST OF CONTENTS

<u>Section</u>	<u>Page</u>
SAFETY	3
APPLIANCE DIMENSIONS	5
GAS CONSUMPTION	5
OPERATING YOUR FIRE	6
The Oxysafe flame sensing and flue blockage safety system.	6
To light the fire	6
CLEANING YOUR FIRE	8
REPLACING THE RADIANTS	8
MAINTENANCE	9
Battery replacement (Electronic ignition).	9
Regular maintenance.	9
Servicing.	9

This gas fire is designed to meet the most stringent quality, performance and safety requirements to provide you with many years' trouble-free service.

This guide aims to improve your understanding and appreciation of your gas fire by providing simple and informative instructions to ensure that you benefit from the excellent performance and features it has to offer.

SAFETY

IF YOU SMELL GAS

DON'T SMOKE

EXTINGUISH ALL NAKED FLAMES

DON'T TURN ELECTRICAL SWITCHES ON OR OFF

TURN OFF THE GAS SUPPLY AT THE METER

OPEN DOORS AND WINDOWS TO GET RID OF THE GAS

IMMEDIATELY CALL THE GAS EMERGENCY SERVICE – SEE YOUR LOCAL TELEPHONE DIRECTORY

Do have the fire installed by a competent person. In the United Kingdom, installation must be in accordance with the latest edition of the Gas Safety (installation & use) Regulations. In the Republic of Ireland, installation must be in accordance with all national and local regulations in force.

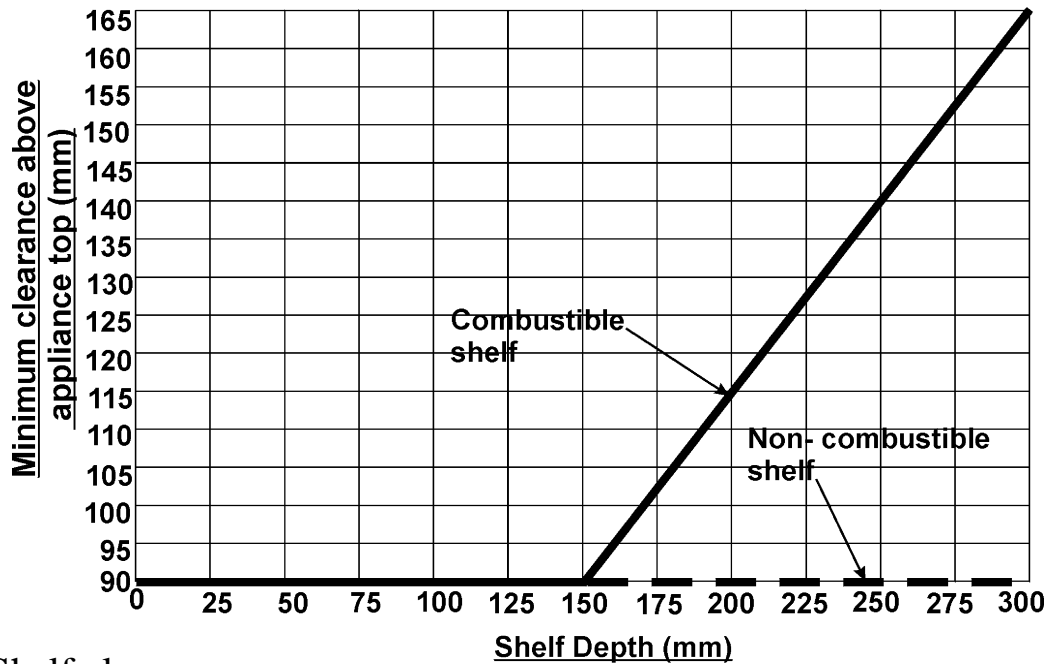
Do have the chimney swept prior to installation if it was previously used for solid fuel.

Do have the fire installed in accordance with the installation instructions

Do allow a minimum clearance of 90mm from the top of the appliance fascia to the

OWNER GUIDE

underside of any shelf whether it is made from combustible or non-combustible materials. This clearance is necessary to allow the fascia to be lifted off for servicing and also allows sufficient access to operate the control knob. For a shelf made from wood or other combustible materials deeper than 150mm add 12.5mm to the clearance for every 25mm of additional shelf depth (See graph 1). Please bear this in mind if ever you add a shelf.



Graph 1 Shelf clearances

Do provide a suitable guard that complies with BS 8423 for the protection of young children, the elderly and the infirm. Such a guard is also recommended for the protection of pet animals. (Although this fire conforms to all the applicable standards, it is a heating appliance and certain parts of its surface will become hot).

Note: The guard supplied with the fire acts as a fireguard conforming to BS1945:1971 and satisfies the Heating Appliance (Fireguard) (Safety) Regulations 1991.

Do wait three minutes before attempting to relight if the fire is switched off or the flames are extinguished for any reason. (Your fire is fitted with a safety device that will automatically shut off the gas supply to the fire if, for any reason, the flames go out.)

Do get advice about the suitability of any wall covering near your fire. Soft wall coverings (e.g. embossed vinyl, etc.) which have a raised pattern are easily affected by heat. They may, therefore, scorch or become discoloured when close to a heating appliance. Please bear this in mind whenever you are considering redecorating.

Do provide a minimum clearance of 50mm between the fascia sides and any corner wall having combustible material or other combustible surface which projects beyond the front of the fire (See figure 1). Please bear this in mind if ever you are considering

OWNER GUIDE

altering the room.

Don't hang clothing, towels or any other fabrics over the fire.

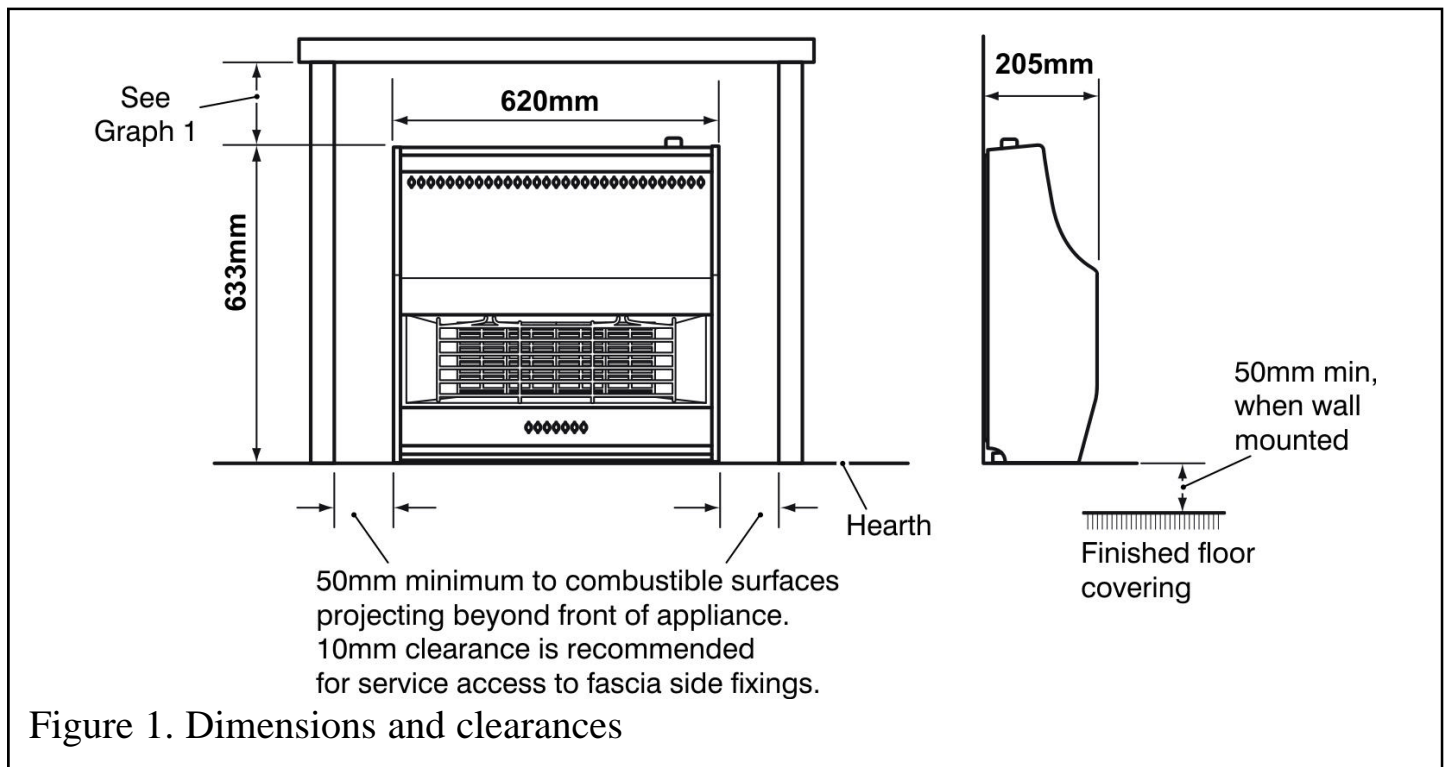
Don't fill in the space behind the fascia.

Don't use the fire without the dress guard being in position.

Don't attempt to clean or service the fire until it has been switched off and allowed to cool completely.

Don't use the fire with damaged radiants.

APPLIANCE DIMENSIONS



GAS CONSUMPTION

Has a maximum natural gas input of 5.6kW (Gross)

Has a maximum natural gas output of 4.0kW

Has a minimum natural gas input of 1.57kW (Gross)

Has a minimum natural gas output of 1.0kW

OWNER GUIDE

OPERATING YOUR FIRE

PLEASE NOTE

When operating your fire for the first time, some vapours may be given off which may cause a slight odour and could possibly set off any smoke alarms in the immediate vicinity. These vapours are quite normal with new appliances. They are totally harmless and will disappear after a few hours use.

The Oxysafe flame sensing and flue blockage safety system.

For your safety, this appliance is fitted with a flue blockage safety device that will shut down the appliance in the event of abnormal flue conditions. ***This device is NOT a substitute for an independently mounted Carbon Monoxide detector.***

The device will also automatically shut off the gas supply to the fire if the pilot flame goes out due to lack of oxygen or for any other reason.

If this device starts to repeatedly shut off the gas, get expert advice.

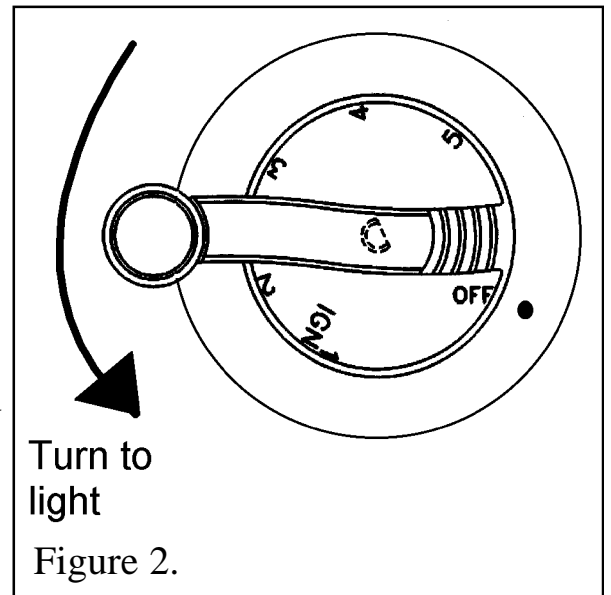
This device incorporates a probe that senses that the heat from the pilot flame is correct. If this probe is cool, the device will prevent any gas flow unless the control knob is held down at the ignition position.

If, for any reason, the flames go out when the fire is hot or if the fire is turned off when hot, always ***wait at least three minutes before attempting to relight.***

To light the fire.

The control is shown in figure 2.

- Depress the control knob slightly and turn anticlockwise towards the 1/IGN position. Do not apply too much pressure as this will cause resistance to be felt. Depress the control knob. Sparks should be generated at the pilot. The sparks should ignite the pilot. If the pilot does not light, turn the control knob back to the 'OFF' position and try again. The pilot flame can be seen through the opening immediately below the right hand centre radiant (See figure 3).



If no sparks are generated at the pilot the battery may have no power. The battery can be replaced as shown later in this guide.

In the unlikely event of failure of the ignition mechanism or where a replacement battery is not available the pilot can be lit with a long match or taper – See next page.

OWNER GUIDE

- When the pilot has lit keep the control knob depressed for about ten seconds to allow the flame sensing probe to warm up.
- The control control knob can then be set to your preferred heat level. The settings are: -

Control Knob Position	Radiants Condition
2	Centre radiants on low. Outer radiants off. (The right hand centre radiant will glow slightly more than than the left hand centre radiant due to the pilot flame)
3	Centre radiants fully on. Outer radiants off.
4	Centre radiants fully on. Outer radiants on low.
5	All radiants fully on.

To turn off partially depress the knob and turn clockwise to off. **Wait at least three minutes before attempting to relight.**

Lighting with a match or taper

Depress the control knob slightly and turn anticlockwise towards the 1/IGN position. While keeping the knob depressed, light the pilot by inserting a long match or taper into the opening as in figure 3.

When the pilot is alight, keep the knob depressed for about ten seconds to allow the flame sensing probe to warm up before setting to your preferred heat level.

For your own convenience, have the heater serviced as soon as possible.

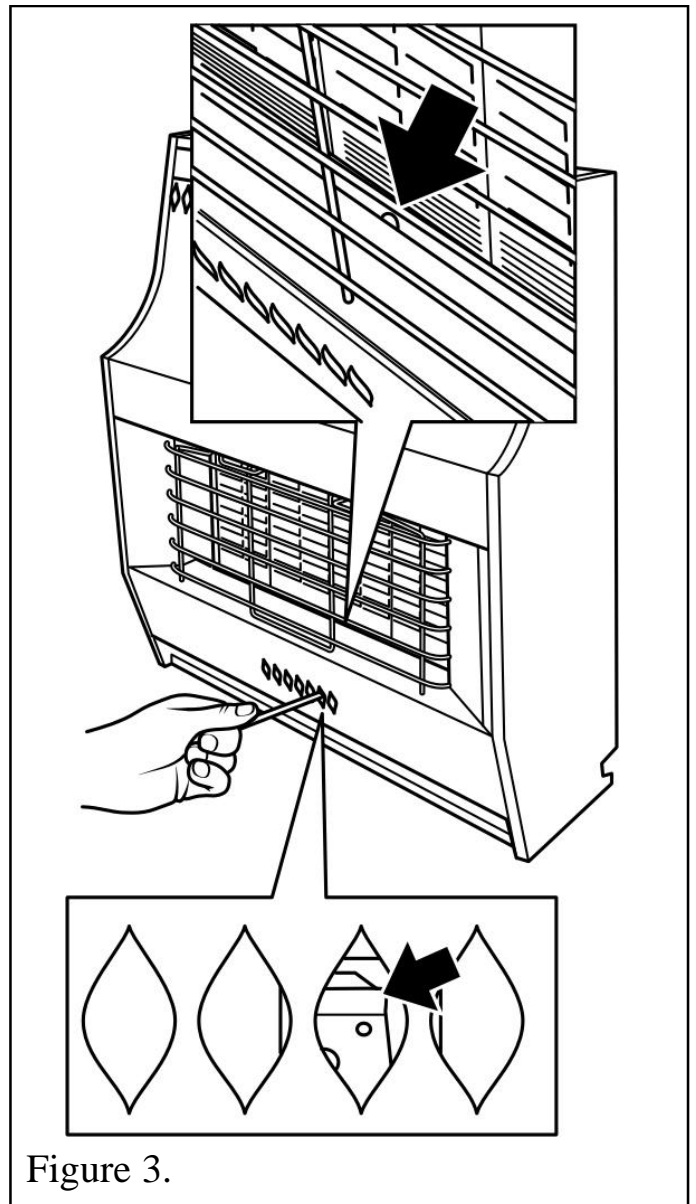


Figure 3.

OWNER GUIDE

CLEANING YOUR FIRE

Turn the fire off and allow it to cool before attempting any cleaning.

Normally the fire will only need dusting. The bright metal trims may be cleaned with a damp cloth and dried with a soft duster. Obstinate marks can be removed from the guard and trims using soapy water. *Never use abrasive cleaners.*

The radiants can be cleaned with a soft brush - see the following section for removing the radiants.

REPLACING THE RADIANTS

See figure 4.

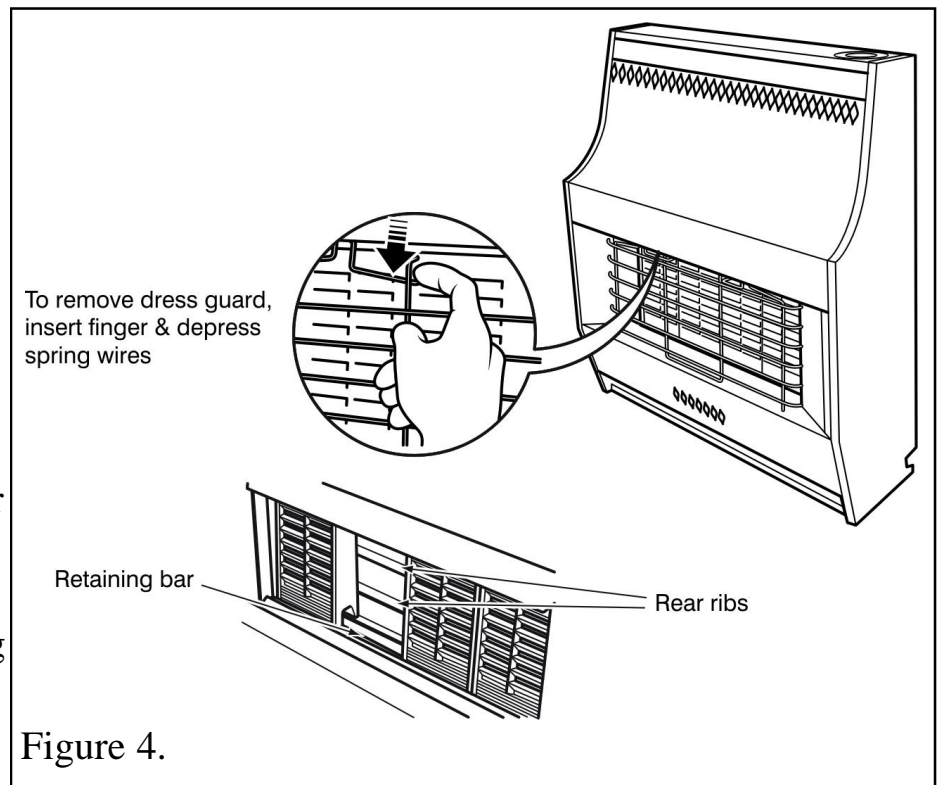
Always use the correct type of replacement radiant. Ask for part number 5110472
Turn the fire off and allow it to cool before attempting to remove the radiants.

Remove the dress guard by pressing down the two hooks at the top. Tilt the guard forward and lift out.

Lift the radiant upward to clear the metal retaining bar then pull out bottom first.

Fit the new radiant by inserting its top under the top lip of the radiant box then swing the bottom of the radiant over and

behind the retaining bar. **It is important that the front face of the radiant should rest against the front of the retaining channel.** Replace the dress guard. Locate the bottom of the dress guard in the two holes in the bottom panel apron. Push the guard back so that the two spring projections at the top of the guard engage in the slots under the front decorative canopy.



OWNER GUIDE

MAINTENANCE

Battery replacement (Electronic ignition).

1. The battery cover is located at the base of the fire on the right hand side.
2. Unscrew the battery cover in an anticlockwise direction.
3. Remove the battery and discard.
4. Remove any protective film from the replacement battery and place into the generator. The negative (-) terminal should go in first. The cap of the generator is marked with (+).
5. Refit the battery cover.

Regular maintenance.

In order to achieve and maintain high levels of personal safety and performance efficiency, it is essential that the opening at the back of the fire and the flue are kept clear of any form of obstruction. It is possible that deposits of mortar or soot could fall and accumulate causing the flue to be blocked or restricted and so preventing proper clearance of dangerous exhaust fumes.

In the United Kingdom it is the law that a landlord must have any gas appliance, flue and pipework which is situated in a tenant's premises checked for safety at least every twelve months by a competent person (In the U.K., a CORGI registered installer).

We recommend that all gas appliances and their flues, wherever situated, are checked annually.

Servicing.

- If you require your fire to be serviced, please contact British Gas or Scottish Gas **TELEPHONE 0845 950 0400** and please quote the following details:
Model name and number.
Appliance serial number (To be found on a label near the bottom right side of the fascia).
- If you wish to replace any radiants, spare parts are available nationwide via the '**interpart stockist network**'. For your local stockist consult Yellow pages under Central Heating.